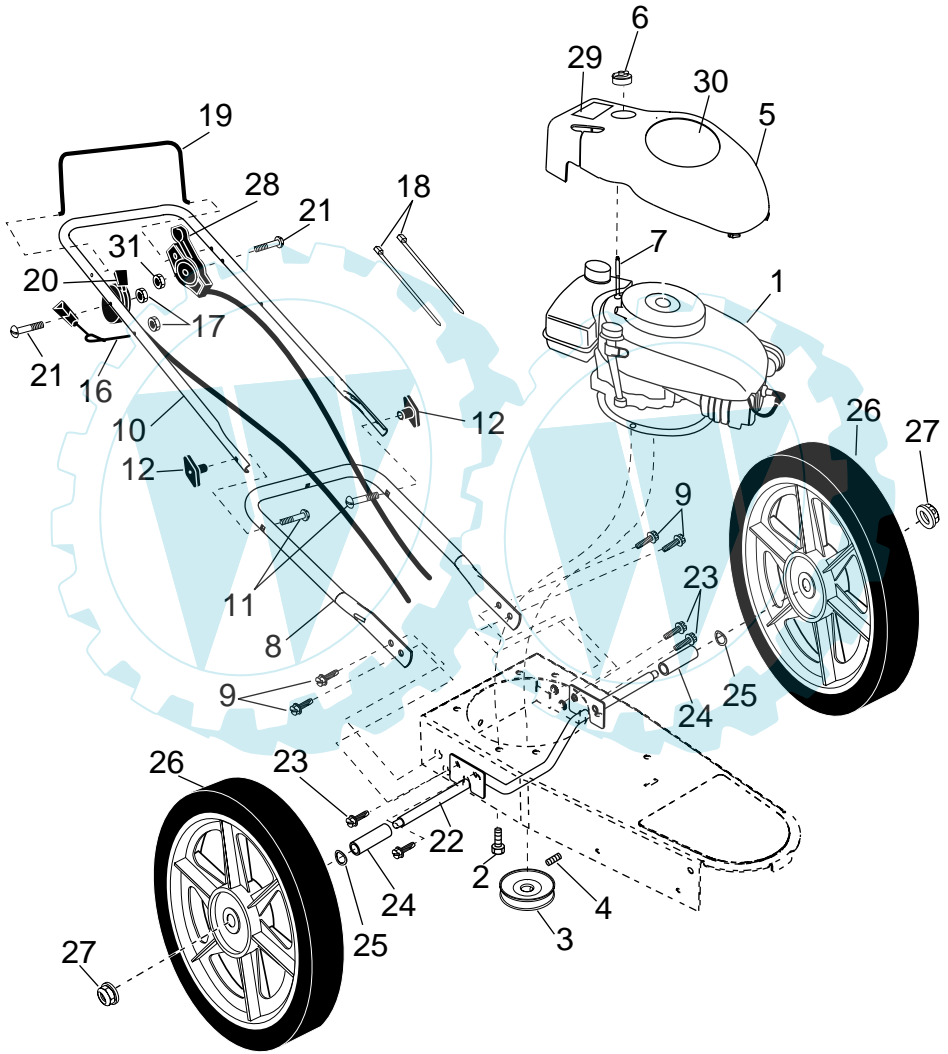


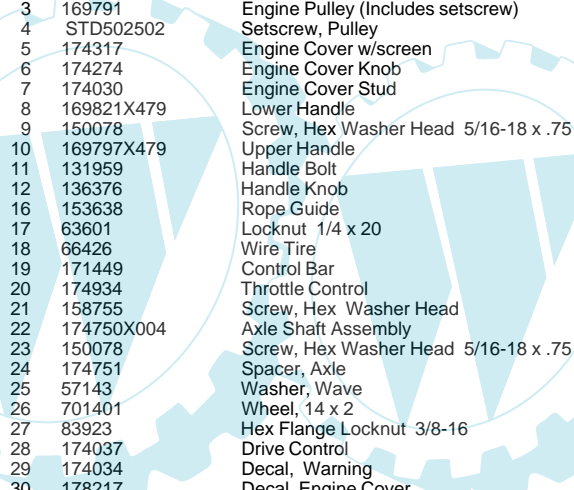
REPAIR PARTS

WEEDTRIMMER - MODEL NUMBER RWT42014A



REPAIR PARTS

WEEDTRIMMER - MODEL NUMBER RWT42014A

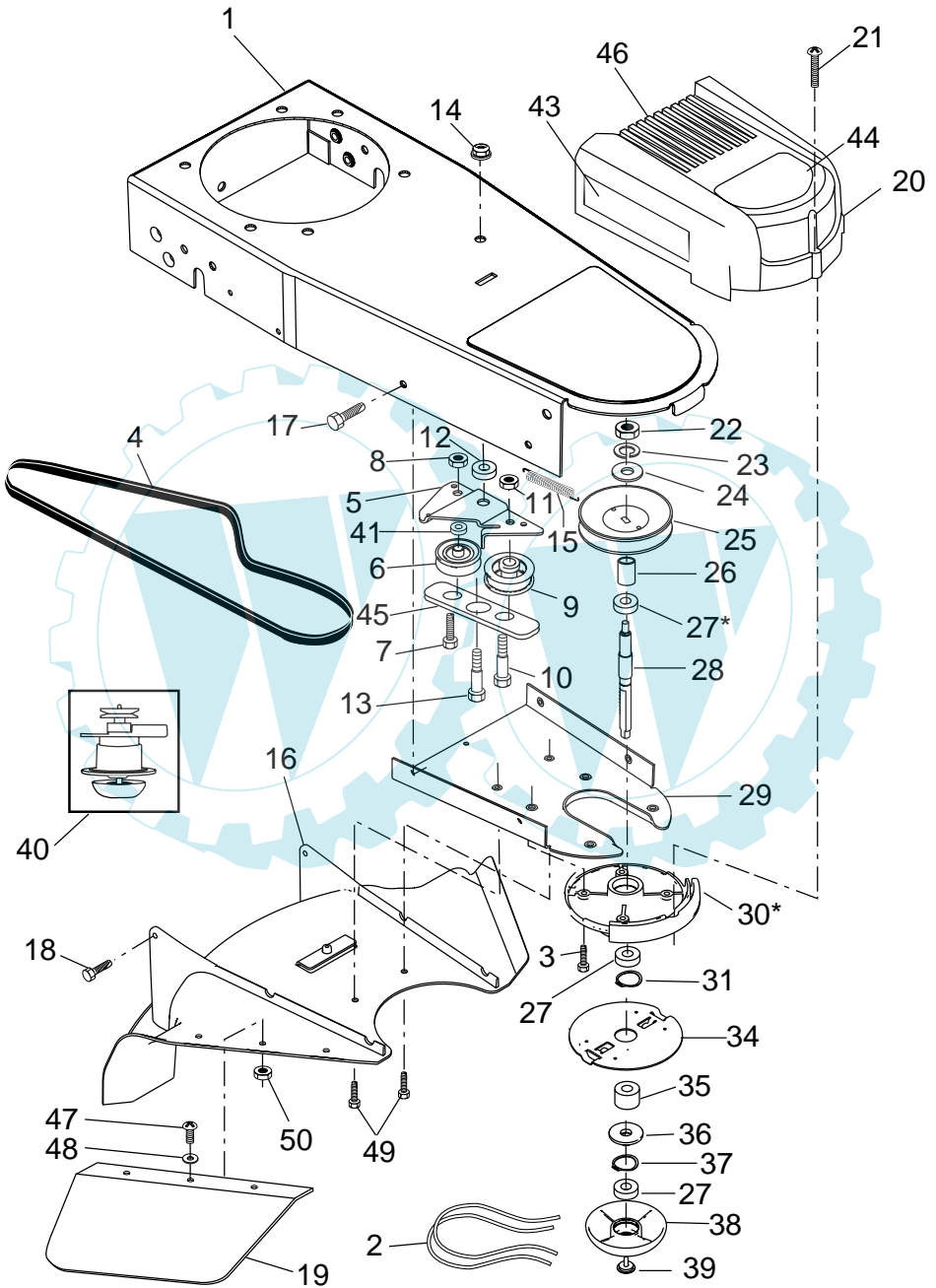


KEY NO.	PART NO.	DESCRIPTION
1	----	Engine, Model Number LEV115
2	150406	Engine Bolt 3/8-16
3	169791	Engine Pulley (Includes setscrew)
4	STD502502	Setscrew, Pulley
5	174317	Engine Cover w/screen
6	174274	Engine Cover Knob
7	174030	Engine Cover Stud
8	169821X479	Lower Handle
9	150078	Screw, Hex Washer Head 5/16-18 x .75
10	169797X479	Upper Handle
11	131959	Handle Bolt
12	136376	Handle Knob
16	153638	Rope Guide
17	63601	Locknut 1/4 x 20
18	66426	Wire Tire
19	171449	Control Bar
20	174934	Throttle Control
21	158755	Screw, Hex Washer Head
22	174750X004	Axle Shaft Assembly
23	150078	Screw, Hex Washer Head 5/16-18 x .75
24	174751	Spacer, Axle
25	57143	Washer, Wave
26	701401	Wheel, 14 x 2
27	83923	Hex Flange Locknut 3/8-16
28	174037	Drive Control
29	174034	Decal, Warning
30	178217	Decal, Engine Cover
31	751152	Nut 1/4-20
--	177824	Operator's Manual, European
--	177825	Operator's Manual, Scandinavian
--	177841	Repair Parts Manual, English

NOTE: All component dimensions given in U.S. inches
1 inch = 25.4 mm

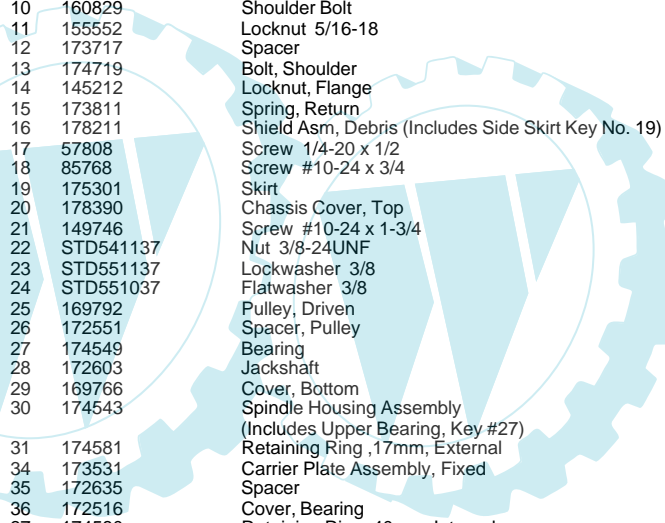
REPAIR PARTS

WEEDTRIMMER - MODEL NUMBER RWT42014A



REPAIR PARTS

WEEDTRIMMER - MODEL NUMBER RWT42014A



KEY NO.	PART NO.	DESCRIPTION
1	174031X505	Chassis Assembly
2	174040	Line, .155 diameter x 18.75 long
3	173715	Screw, Self-Tapping 5/16-18 x 1
4	169790	V-Belt
5	172145X004	Bracket, Idler
6	166042	Pulley, Idler, V-Groove
7	173716	Bolt, Hex Head 3/8-16 x 1.25
8	751592	Locknut 3/8-16
9	166043	Pulley, Idler, Flat
10	160829	Shoulder Bolt
11	155552	Locknut 5/16-18
12	173717	Spacer
13	174719	Bolt, Shoulder
14	145212	Locknut, Flange
15	173811	Spring, Return
16	178211	Shield Asm, Debris (Includes Side Skirt Key No. 19)
17	57808	Screw 1/4-20 x 1/2
18	85768	Screw #10-24 x 3/4
19	175301	Skirt
20	178390	Chassis Cover, Top
21	149746	Screw #10-24 x 1-3/4
22	STD541137	Nut 3/8-24UNF
23	STD551137	Lockwasher 3/8
24	STD551037	Flatwasher 3/8
25	169792	Pulley, Driven
26	172551	Spacer, Pulley
27	174549	Bearing
28	172603	Jackshaft
29	169766	Cover, Bottom
30	174543	Spindle Housing Assembly (Includes Upper Bearing, Key #27)
31	174581	Retaining Ring ,17mm, External
34	173531	Carrier Plate Assembly, Fixed
35	172635	Spacer
36	172516	Cover, Bearing
37	174580	Retaining Ring ,40mm, Internal
38	172523	Mow Ball
39	172636	Bolt, Mow Ball
40	173619	Head Assembly, Complete (Includes Key #22-39, less #29)
41	174029	Spacer
43	174042	Decal , Instruction
44	178216	Decal, Chassis Cover
45	174596	Bottom Belt Keeper
46	174036	Decal, Instruction
47	76399	Screw
48	52784	Washer
49	17060408	Screw
50	59931	Locknut

NOTE: All component dimensions given in U.S. inches
1 inch = 25.4 mm